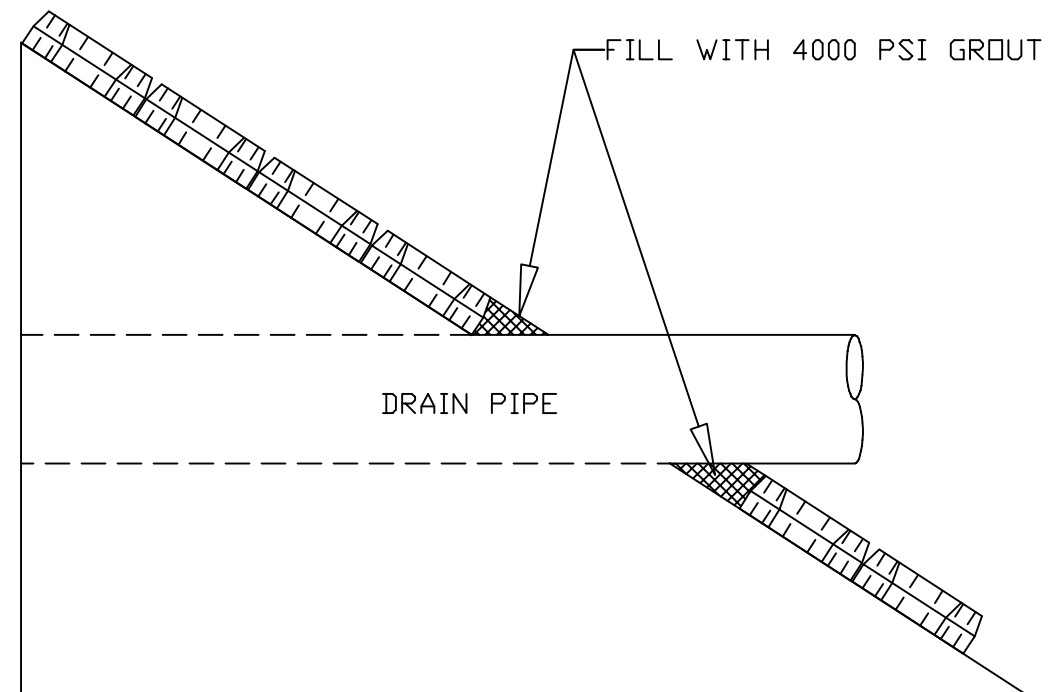


PLAN

FILL WITH 4000 PSI GROUT
DRAIN PIPE



SECTION

SHORETEC® L.L.C.
510 O'Neal Lane
Baton Rouge, Louisiana 70819
(225) 373-3511 - Phone
(225) 273-9888 - Fax

Client:
TITLE OF PROJECT
CITY, STATE

Scale:
N.T.S.

File Name:

Title:
SHORELOC® HAND PLACED SERIES
DRAIN PIPE PASSING THRU MAT

Project No:

Drawing No:
4

No.	Date	Revision	By

THIS DRAWING IS BEING FURNISHED FOR THIS SPECIFIC PROJECT ONLY. ANY PARTY ACCEPTING THIS DOCUMENT DOES SO IN CONFIDENCE AND AGREES THAT IT SHALL NOT BE DUPLICATED IN WHOLE OR IN PART, NOR DISCLOSED TO OTHERS WITHOUT THE CONSENT OF SHORETEC® L.L.C..